

AIRBRAVO EG

RIGID PIPE SUCTION ARM AND
DOUBLE EXTERNAL PANTOGRAPH



An easy to handle and versatile double pantograph suction arm for the removal, at the source, of air pollutants such as welding fumes, dust, gases, vapour and oil mists from the work areas.



Just like
working outdoor



AIRBRAVO
Occupational Air Pollution Control



INDUSTRIAL
INDUSTRIAL.COM

AIRBRAVO EG

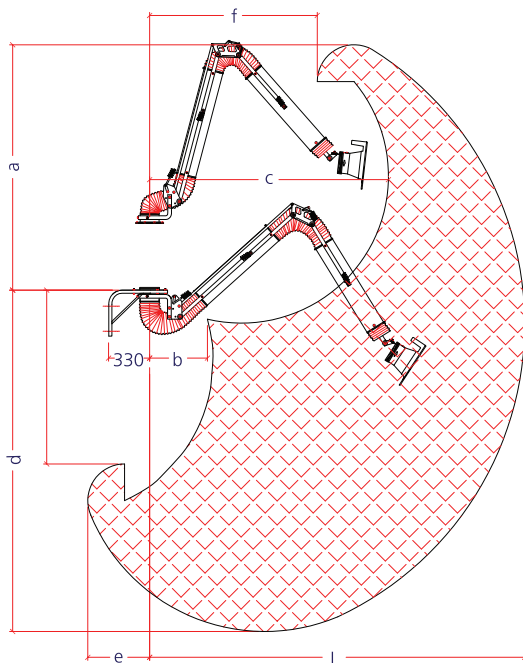
RIGID PIPE SUCTION ARM AND DOUBLE EXTERNAL PANTOGRAPH

CONSTRUCTION FEATURES

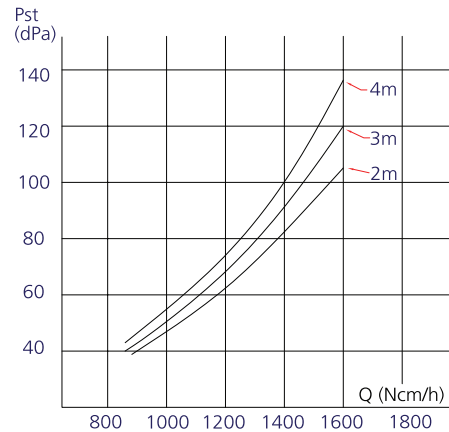
The EG suction arm includes high performance hoods with axial rotation, built, depending of the diameters, with plastic or galvanised steel.

The rigid and flexible pipe is supported by a double pantograph load-bearing structure with balancing achieved by steel springs, and with various plastic friction points. The flexible pipe is made with aluminium film and fibre-reinforced PVC, resistant to temperatures of 140°C and a vacuum of 2kPa.

The new base with self-limiting friction offers fluid and easy rotation.



	Mod	L tot (M)	Dimension (mm)							i
			L	a	b	c	d	e	f	
HANGING	EG1216	2	2163	1397		1616	2015		479	392
	EG1316	3	3163	2354	323	2229	2978	309	780	
	EG1416	4	4163	3311		2841	3942		1064	
STANDING	EG6216	2	2177	1941		1298	1376			-171
	EG6316	3	3177	2941	342	1694	2223	210	97	
	EG6416	4	4177	3941		2090	3071			



THE PROS

- Improved capturing capacity with new high performance hoods.
- Very easy handling thanks to its improved supporting structure and new base.
- Lower friction loss and sturdier build, guaranteed by the structure built externally to the suction flow and by the rigid pipes.

MODELS

AIRBRAVO EG is available in models offering a nominal extension of 2, 3 and 4 meters and with diameters of 100, 125 and 160 mm, in addition to the complete and convenient version with exhaust fan (EGM suction units).

ARMS EG			
Dia. (mm) / Full Extension(m)	160	125	100
2	EG1216	EG1212	EG1210
3	EG1316	EG1312	EG1310
4	EG1416	EG1412	-

ACCESSORIES

Protection grille, Lighting Kit, Jib extensions (up to 8 m).

EGM SUCTION UNITS										
Unit	Code	EGM032	EGM033	EGM072	EGM073	EGM074	EGM112	EGM113	EGM114	
Full Extension (m)		2	3	2	3	4	2	3	4	
Pipe Dia. (mm)		100			125			160		
Capacity (Nm³/h)		250			750			1250		
Motor (kW)		0,25			0,73			0,73		