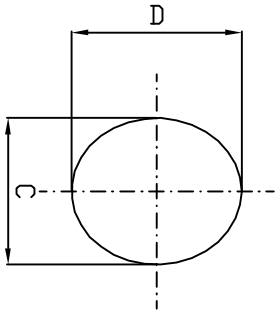
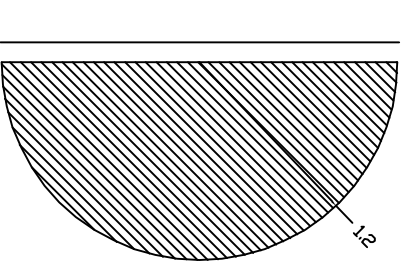
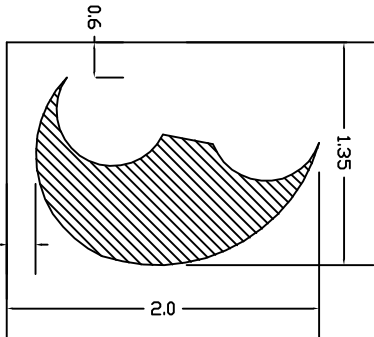
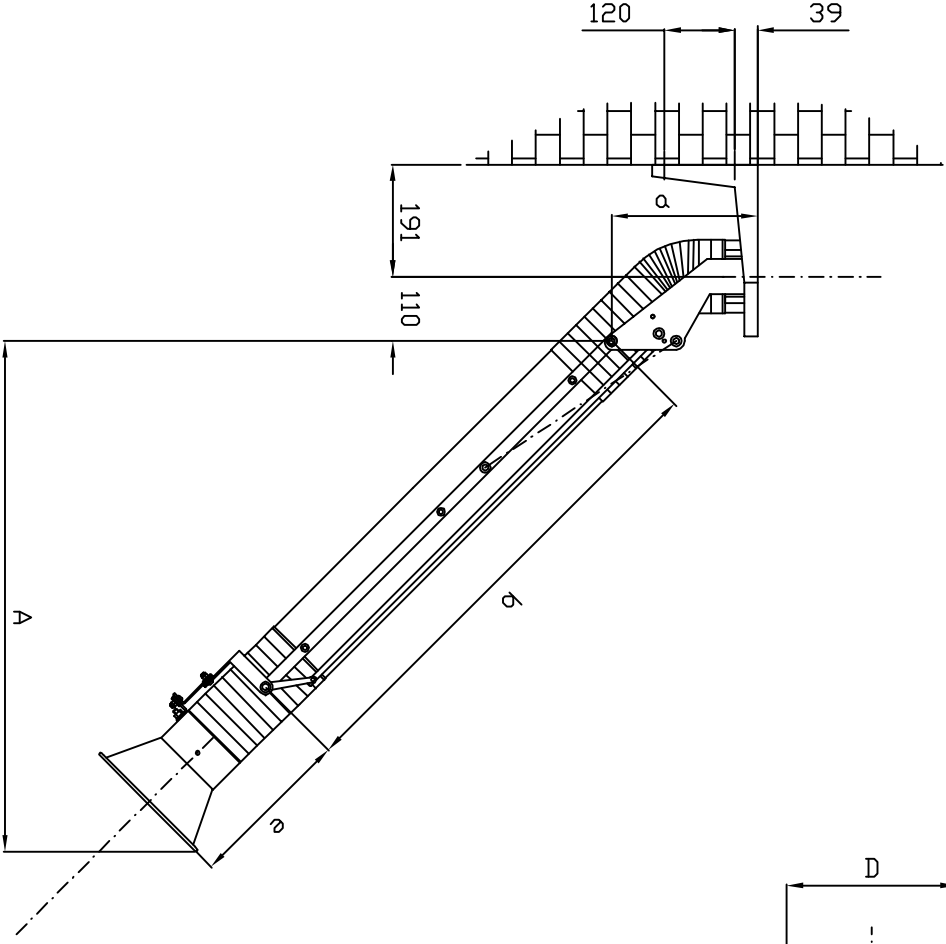
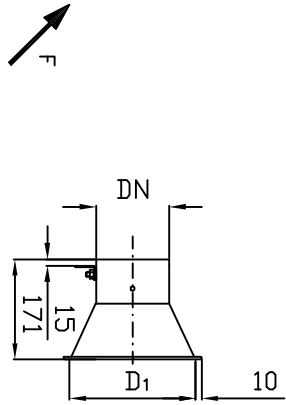
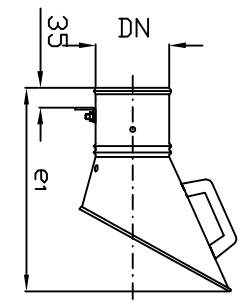


VIEW FROM "F"



HOOD



ARM'S PERMITTED ACTION ZONE

e1	327	367	327	367
e	279	283	279	283
b	355		835	
d	241	249	241	249
D1	180	215	180	215
D	240	290	240	290
C	210	250	210	250
A	634	638	1114	1118
DN	100	125	100	125
LENGTH	0.5m			1m

GENERAL TOLERANCES

CONFIDENTIAL PROPERTY OF AIRBRAVO
REPRODUCTION OF THIS PRINT OR UNAUTHORIZED USE IS PROHIBITED

WEIGHT:

TECHNICAL DEPARTMENT
TEL. +333/85981540
F-71640 Drocy le Fort
Zi la tulierie

AIRBRAVO
Occupational Air Pollution Control

REV. C	DATE	DWG NAME:	EPH LAB. ARM INSTALLATION	REF. POS:	01
REV. B	DATE	CHK:	UPPER ASSEMBLY:	EPH LAB. ARM	REF. DWG
REV. A	DATE	DWG N.:	SCALE:	OF	
DATE	28.01.98	FOR APPROVAL:	DATE:	02/11/99	DWG N.:
			DATE:		M163/99
					CODE